

# BASH Veterans Memorial: Project Summary

## Project Summary

There are 79 members of the United States military that lived in the Boyertown Area School District and lost their lives in combat since Civil War. It is our goal to build a memorial to honor their sacrifice and recognize the service of other local heroes. The Future Business Leaders of America (FBLA) proposes building a memorial next to the flagpole by the main entrance to the high school to recognize heroes of the past and present.

## Background Information

There have been piecemeal efforts to recognize some of these service members at the high school, but they are not all recognized. The Boyertown History Club and FBLA are student organizations at the Senior High School that have a lasting interest in service and community. Past students of the Boyertown History Club researched the names of our fallen service members. It is the goal of FBLA's current students to recognize their sacrifice. The shape of this project has taken several forms over the past eight years but has finally crystalized into the project featured here.

## The Solution

FBLA has developed an actionable solution to recognize these local heroes. Using the skills they learned as students at BASH, Daman Sangha, Ryan Zeleznock, and Ryan Schatz created the blueprint for the memorial found in this proposal. We propose a memorial bench made of brick and granite that will partially encircle the flagpole at the main entrance of the high school. The bench design is an original creation designed by these students. The memorial features 8x8 inch granite tiles for each service member who lost his life serving our country. In addition, the design features over 250 "honor bricks," which will be available for purchase by individuals in the community. These bricks will recognize other local veterans. The sale of these bricks will directly fund this project. The back of the memorial will feature stones from the original veterans' wall that stood in this location and sponsor bricks that can be purchased by community members or local businesses to fund this project. This beautiful memorial will be located by the flagpole at the main entrance of the high school and greet students and visitors each day.

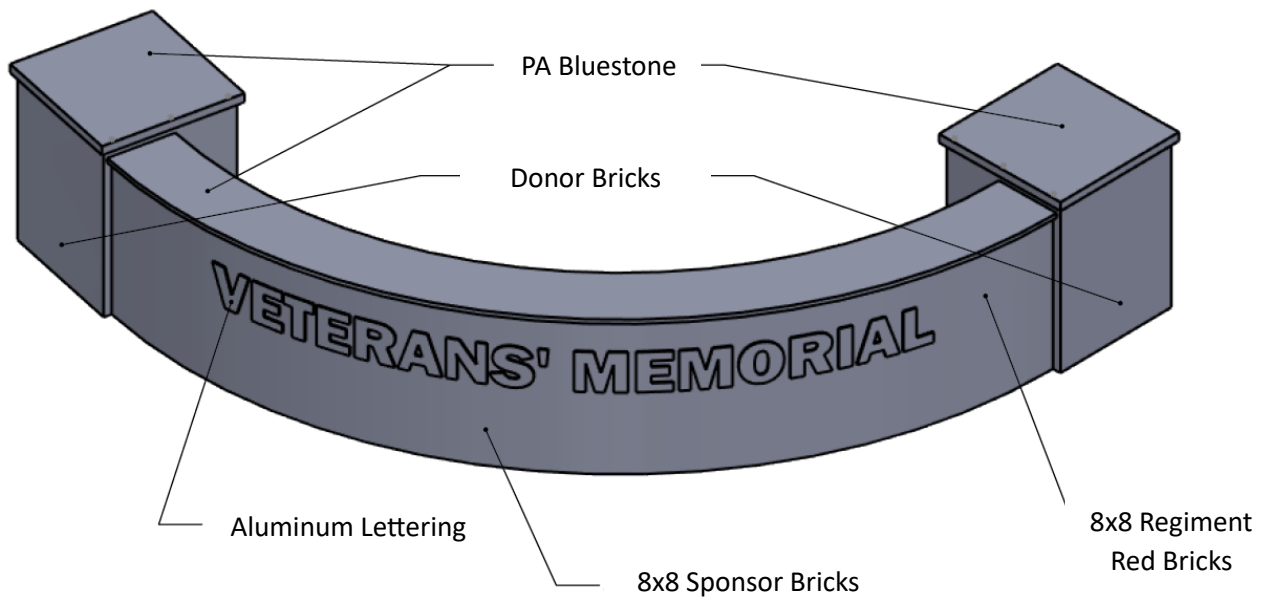
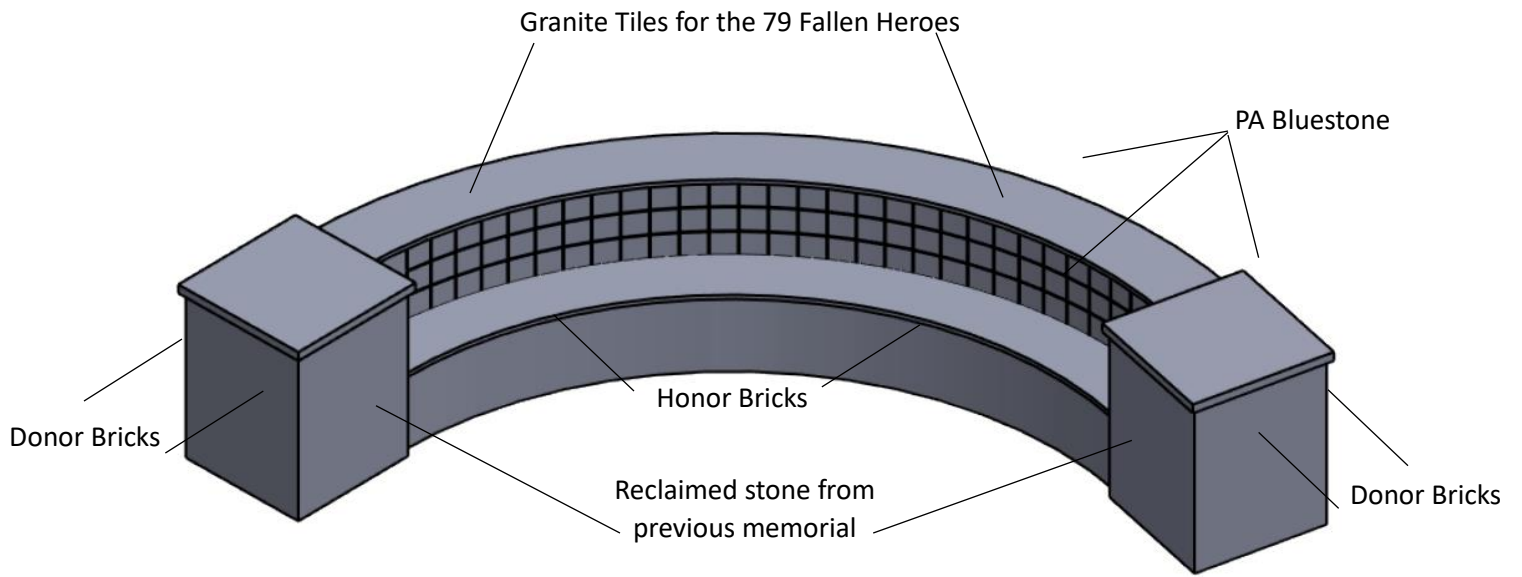
## Bricks

FBLA is selling limited quantity of three types of bricks that will be incorporated into the memorial. These bricks are directly funding this student project.

1. Honor Bricks: These 4x8 inch bricks can be purchased to honor someone that served in the U.S. military. There are 120 honor bricks available.
2. Donor Bricks: These 4x8 inch bricks can be purchased by individuals or businesses to show support for the project. There are 160 donor bricks available.
3. Sponsor Bricks: These 8x8 inch bricks can be purchased by individuals or businesses to show support for the project. There are 60 Sponsor bricks available.

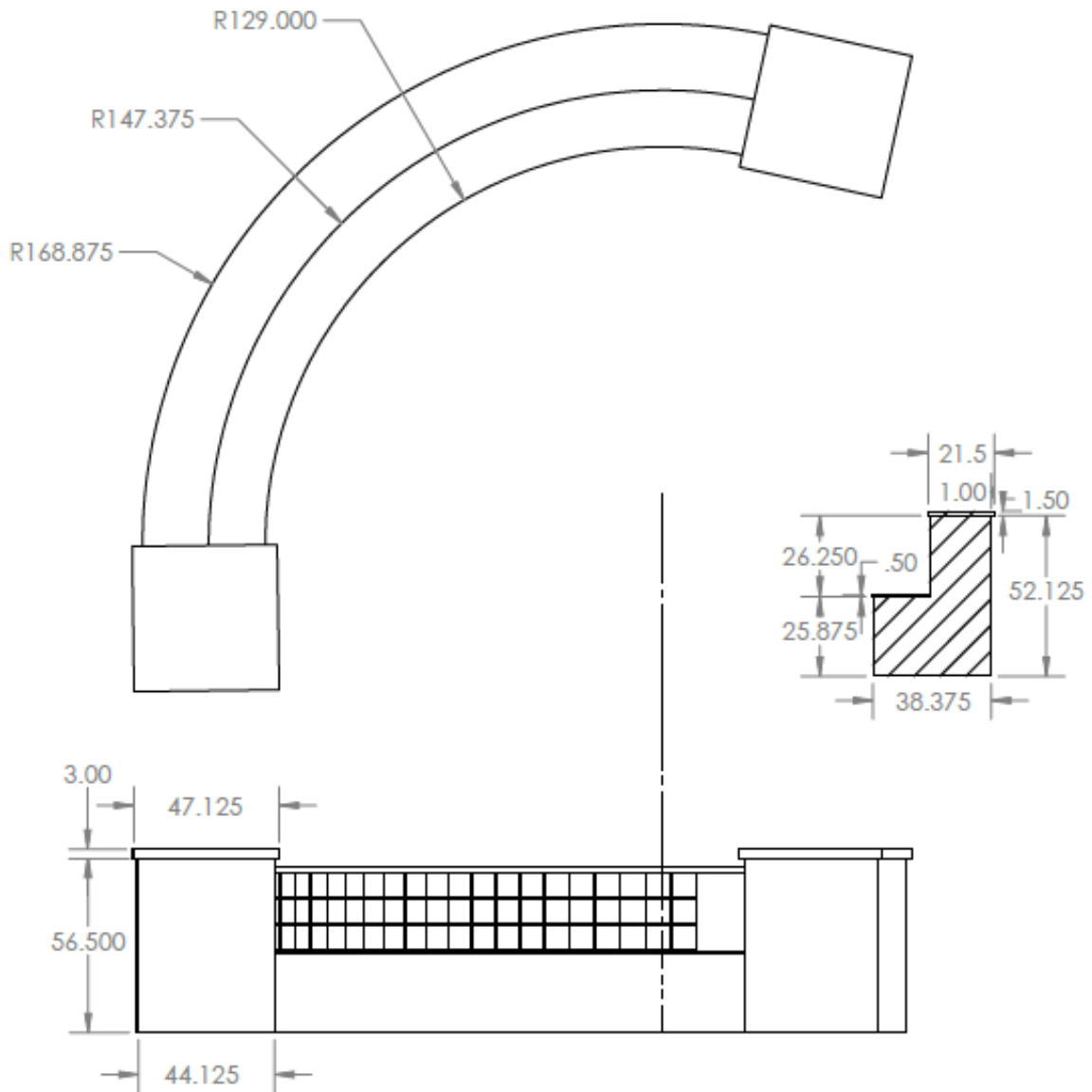
# BASH Veterans Memorial: Project Summary

## Design:



# BASH Veterans Memorial: Project Summary

## Memorial Design: Dimensions



## BASH Veterans Memorial: Project Summary

### List of 79 Fallen Heroes:

#### Civil War

<b>Last Name</b>	<b>First Name</b>	<b>Middle Name</b>	<b>Hometown</b>
<b>Boyer</b>	Frederick		Boyertown
<b>DeFrehn</b>	Charles	C.	Boyertown
<b>Neal</b>	Edward		Boyertown
<b>Reidenauer</b>	David	B.	Boyertown
<b>Strunk</b>	Peter	Y.	Boyertown
<b>Hartenstine</b>	Elias		New Hanover
<b>Leidig</b>	Samuel		New Hanover

#### World War I

<b>Last Name</b>	<b>First Name</b>	<b>Middle Name</b>	<b>Hometown</b>
<b>Bauer</b>	Victor	E.	Bally
<b>Keller</b>	Wilson	S.	Barto
<b>Hobert</b>	Frank	F.	Bechtelsville
<b>Conrad</b>	Amos	A.	Boyertown
<b>Eddinger</b>	Frank		Boyertown
<b>Eschbach</b>	Harry	H.	Boyertown
<b>Keiser</b>	George	D.	Boyertown
<b>Megerly</b>	Thomas	T.	Boyertown
<b>Reppert</b>	Daniel	E.	Boyertown
<b>Schultz</b>	Archie	B.	Boyertown
<b>Scott</b>	Robert	G.	Boyertown
<b>Yerger</b>	Charles	B.	Boyertown
<b>Bauer</b>	Edgar	A.K.	New Berlinville
<b>Erb</b>	Grover	P.	New Berlinville

#### World War II

<b>Last Name</b>	<b>First Name</b>	<b>Middle Name</b>	<b>Hometown</b>
<b>Eddinger</b>	John	William	Bally
<b>Endy</b>	Melvin		Bally
<b>Meitzler</b>	James	I	Bally
<b>Melcher</b>	Robert	J.	Bally
<b>Stengel Jr.</b>	Leroy	L.	Bally
<b>Forsythe</b>	Thomas	W.	Barto
<b>Kline</b>	Irwin	C.	Barto

## BASH Veterans Memorial: Project Summary

<b>Singer</b>	Paul		Barto
<b>Bittenbender</b>	Ernest	R.	Bechtelsville
<b>Rohrbach</b>	Roy	R.	Bechtelsville
<b>Acker</b>	Vincent	W.	Boyertown
<b>Albitz</b>	John	Franklin	Boyertown
<b>Beidewell</b>	Earl	E.	Boyertown
<b>Boyer</b>	Elmer	S.	Boyertown
<b>Carl</b>	Earl	H.	Boyertown
<b>Carr</b>	Albert		Boyertown
<b>Croll</b>	Daniel	W.	Boyertown
<b>Fryer</b>	Earl	R.	Boyertown
<b>Groff</b>	William	C.	Boyertown
<b>Landis</b>	Irvin	T.	Boyertown
<b>Mest</b>	Paul	M.	Boyertown
<b>Miller</b>	Earl	R.	Boyertown
<b>Miller</b>	Robert	R.	Boyertown
<b>Moyer</b>	Leonard	J.K.	Boyertown
<b>Moyer</b>	William	H.	Boyertown
<b>Peters</b>	Harry	Steward	Boyertown
<b>Reeser</b>	Elmer	W.	Boyertown
<b>Rhoads</b>	Lloyd	G.	Boyertown
<b>Weller</b>	Daniel	M.	Boyertown
<b>Weller</b>	Clinton	M.	Boyertown
<b>Heimbach</b>	Curtis	D.	Colebrookdale
<b>Heimbach</b>	Ralph	S.	Colebrookdale
<b>Heller</b>	Earl	Y.	Colebrookdale
<b>Schock</b>	Donald	B.	Colebrookdale
<b>Sell</b>	Lawrence	H.	Colebrookdale
<b>Gift</b>	Earl	Lawrence	Earl Township
<b>Levengood</b>	Melvin		Earl Township
<b>Loeb</b>	Harold	S.	Earl Township
<b>Grebe</b>	Robert		Englesville
<b>Moyer</b>	Robert		Englesville
<b>Schaeffer</b>	Linwood		Englesville
<b>Meitzler</b>	James	H.	Hereford
<b>Heller</b>	Lawrence		New Berlinville
<b>Steltz</b>	Lester	E.	New Hanover
<b>Bellini</b>	Anthony	F.	Pine Forge
<b>Fritz</b>	Charles	R.	Pine Forge
<b>Strocker</b>	Paul	R.	Pine Forge

## BASH Veterans Memorial: Project Summary

### Korean War

<b>First Name</b>	<b>Last Name</b>	<b>Middle Name</b>	<b>Hometown</b>
<b>Donald</b>	Burkholder	M.	Boyertown
<b>Paul</b>	Wolf Jr.	Carl	Boyertown

### Vietnam War

<b>Last Name</b>	<b>First Name</b>	<b>Middle Name</b>	<b>Hometown</b>
<b>Gendebien</b>	William	Raymond	Barto
<b>Mohr</b>	Richard	Allen	Barto
<b>Moser</b>	Terry	Lee	Barto
<b>Miller</b>	Ted	Roger	Boyertown
<b>Mutter</b>	Alvin	George	Boyertown
<b>Stepsie</b>	Ronald	Stevens	Boyertown
<b>Triebel Jr.</b>	Clyde	Edward	Boyertown
<b>Beck</b>	Carl	Gary	Sassamansville

### War on Terror

<b>First Name</b>	<b>Last Name</b>	<b>Middle Name</b>	<b>Hometown</b>
<b>Travis</b>	Zimmerman	Clyde	New Berlinville